



North American  
Safety Valve  
Industries, Inc.



**35,000** Safety & Relief Valves  
Ready to Ship

When the pressure is on, trust North American Safety Valve Industries

## We're Always on Standby

When you're under pressure, NASVI's ready to help.

### New & Remanufactured Safety Valves

Extensive stock of new valves from trusted, top manufacturers and dependable remanufactured valves back by a 2-year warranty.

### Same or Next-Day Shipping

Avoid or minimize downtime with NASVI's same or next-day shipping.

### State-of-the-Art Repair & Setting Centers

Nearly every safety valve's specifications are at our technicians' fingertips for exact work. Generally, irreparable valves can be replaced from our in-stock inventory.

### Turnaround Exchange Program

Receive the valves needed for installation prior to shutting down, then ship us the old valves for repair or exchange.

## Get an Instant Quote

[nasvi.com/quote](http://nasvi.com/quote)

1600 Warren St.  
North Kansas City, MO 64116

Phone: (800) 800-8882

Phone: (816) 421-7042

Fax: (816) 421-0297

[sales@nasvi.com](mailto:sales@nasvi.com)

spec sheet



# KINGSTON

Manufacturing reliable industrial valves for industry since 1908.

# 120

## Safety Relief Valve

## Model 120

### Kingston Side Outlet Relief Valve



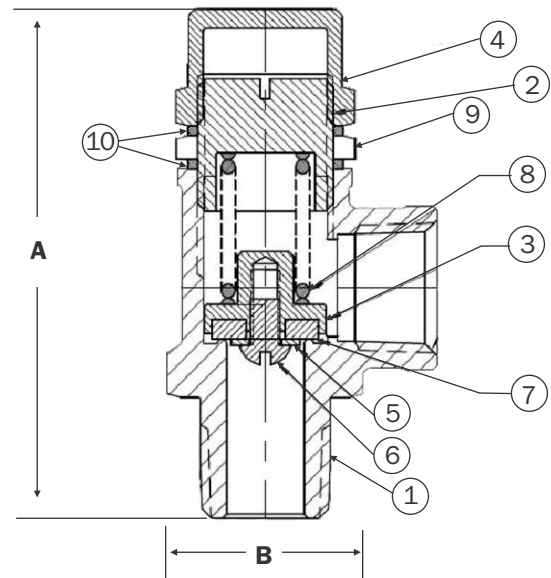
### Features

- Cast Red Brass Body
- Liquid and Non-Code Air Applications
- NPT Side Outlet for Venting Control
- Precision Machined with Soft Seat
- Set Pressure Range 0-300 PSI
- Tested in National Board Approved Quality Assurance Process

Model	Inlet Size	Orifice	Dimensions (Inches)		Set Pressure Range (PSI)	Approx. Ship Wt.	Min. Temp (°F)	Max. Temp (°F)
			Height (A)	Hex (B)				
120	1/2" NPT	0.500	3-1/16"	1-1/16"	0-300	9 oz.	-41° F	250° F

### Materials

No.	Part Name	Materials
1	Body	Brass CSTG
2	Adj. Screw	Brass
3	Disc Cage	Brass
4	Cap Plug	Brass
5	Disc Washer	Brass
6	Screw	Brass
7	Disc	Buna 'N'
8	Spring	Stainless Steel
9	Lock Nut	Brass
10	Washer	Red Fiber



# Kingston Model 120 Safety Valve

## Flow Capacity Information

Fig. 120 - 1/2"

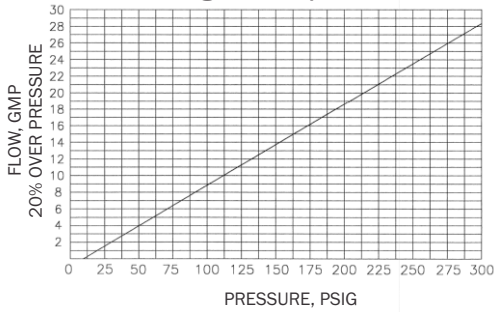
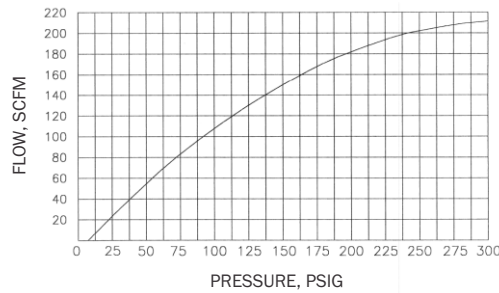
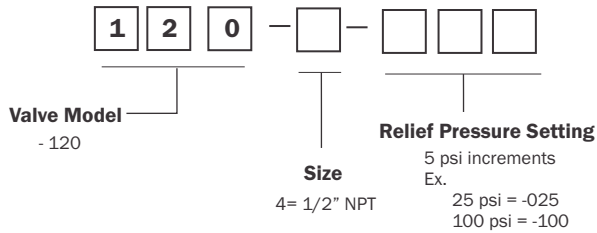


Fig. 120A - 1/2"



## Ordering Information

### Kingston Safety Relief Valve Part Number Codes



## Product Notes

Set pressure can deviate from the marked by  $\pm 2$  psig at or below 70 psig set pressure and  $\pm 3\%$  psig above 70 psig. Factory standard seat tightness for hard seat valves: no audible leakage at 10% below nameplate set. It is normal for spring-operated safety valves to exhibit leakage or simmer/warn, as the system operating pressure approaches the set pressure. For hard seat valve this typically occurs at pressures at or above 90% of nameplate set pressure.

At very low set pressures (20 psi and below), the ratio of the downward spring force as compared to the upward pressure force is very small. In these cases it may be impossible to achieve seat tightness.

Soft seat valves will typically provide a higher degree of seat tightness than metal, hard seats. Factory standard seat tightness does not ensure bubble-tight seal regardless of material. Storm Manufacturing reserves all rights. Product specifications and designs are subject to change without notice.

The information contained herein by Storm Manufacturing Group (SMG) is provided in good faith and as a product guide only. Further, SMG makes no representation as to the completeness or accuracy of the information contained herein. Any person or persons using the information contained herein must exercise their own judgement and consider all local, regional, national and global safety standards in evaluating valve selection options. Final application design and integration of Kingston Products are the sole responsibility of the end user.



www.KingstonValves.com  
**KINGSTON**