



North American
Safety Valve
Industries, Inc.



35,000 Safety & Relief Valves
Ready to Ship

When the pressure is on, trust North American Safety Valve Industries

We're Always on Standby

When you're under pressure, NASVI's ready to help.



New & Remanufactured Safety Valves

Extensive stock of new valves from trusted, top manufacturers and dependable remanufactured valves back by a 2-year warranty.



Same or Next-Day Shipping

Avoid or minimize downtime with NASVI's same or next-day shipping.



State-of-the-Art Repair & Setting Centers

Nearly every safety valve's specifications are at our technicians' fingertips for exact work. Generally, irreparable valves can be replaced from our in-stock inventory.



Turnaround Exchange Program

Receive the valves needed for installation prior to shutting down, then ship us the old valves for repair or exchange.

Get an Instant Quote

nasvi.com/quote

1600 Warren St.
North Kansas City, MO 64116

Phone: (800) 800-8882

Phone: (816) 421-7042

Fax: (816) 421-0297

sales@nasvi.com

spec sheet



KINGSTON

Manufacturing reliable industrial valves for industry since 1908.

KSV

Soft Seat

SAFETY VALVES

KSV Soft Seat Safety Valves

ASME Section VIII, Division I / National Board Certified
High Capacity Flow Rates

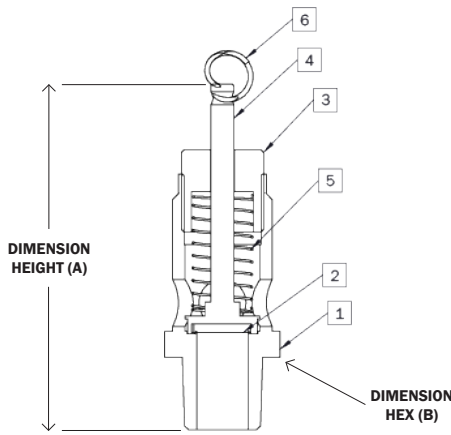
- Designed to API 527 Seat Tightness Standard
- 1/8" NPT up to 1 1/4" NPT
- Brass available, Stainless Steel coming soon
- Silicone disc standard (others consult factory)



Model	Inlet Size	Orifice Area	NB Rated Slope	Dimensions (inches)		Shipping Weight
				Height (A)	Hex (B)	
KSV10	1/8" NPT	0.019 in ²	0.283 SCFM/PSIA	1.51"	0.562"	0.9 oz.
	1/4" NPT			1.62"	0.562"	1.2 oz.
KSV25	1/8" NPT	0.049 in ²	0.726 SCFM/PSIA	1.89"	0.687"	1.4 oz.
	1/4" NPT			2.01"	0.687"	1.8 oz.
	3/8" NPT			2.01"	0.687"	1.8 oz.
KSV30	1/2" NPT	0.145 in ²	1.90 SCFM/PSIA	2.71"	0.875"	0.27 lbs
KSV35	1/2" NPT	0.233 in ²	3.40 SCFM/PSIA	3.66"	1.060"	0.61 lbs
	3/4" NPT			3.66"	1.060"	0.61 lbs
KSV40	1" NPT	0.478 in ²	7.07 SCFM/PSIA	4.66"	1.625"	1.5 lbs
	1 1/4" NPT			4.66"	1.625"	1.5 lbs



Kingston KSV Soft Seat Safety Valves

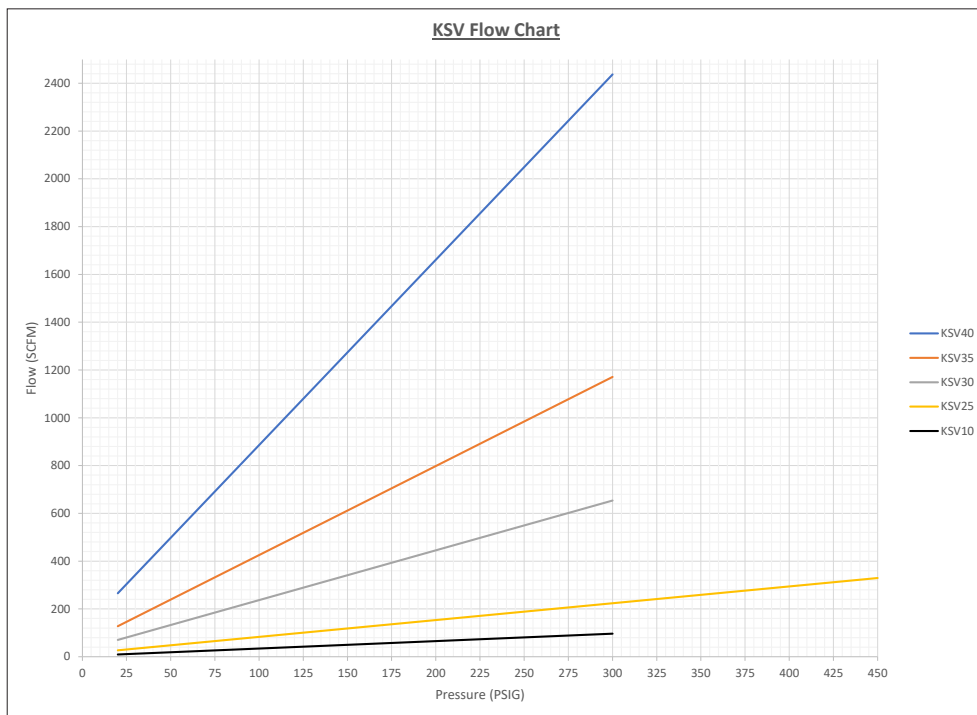


No.	Part Name	Materials
1	Body	Brass
2	Adjusting Screw	Brass
3	Stem	Brass
4	Disc	Silicone
5	Compression Spring	SST or M.W.
6	Pull Ring	Stainless Steel

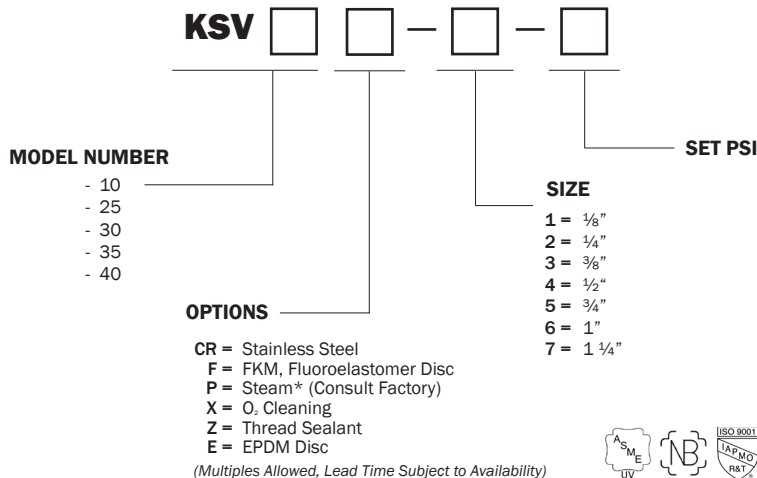
SET PRESSURE & FLOW (SCFM)

Set P	KSV10	KSV25	KSV30	KSV35	KSV40
20	10	27	71	128	266
25	12	31	81	145	301
30	13	34	90	162	337
35	15	38	101	180	376
40	16	42	111	199	415
45	18	46	121	218	453
50	19	50	132	236	492
55	21	54	142	255	531
60	22	58	153	274	570
65	24	62	163	293	609
70	25	66	174	311	648
75	27	70	184	330	687
80	29	74	195	349	726
85	30	78	205	367	764
90	32	82	216	386	803
95	33	86	226	405	842
100	35	90	236	423	881
105	36	94	247	442	920
110	38	98	257	461	959
115	39	102	268	480	998
120	41	106	278	498	1037
125	43	110	289	517	1076
130	44	114	299	536	1114
135	46	118	310	554	1153
140	47	122	320	573	1192
145	49	126	330	592	1231
150	50	130	341	610	1270
155	52	134	351	629	1309
160	53	138	362	648	1348
165	55	142	372	667	1387
170	57	146	383	685	1426
175	58	150	393	704	1464
180	60	154	404	723	1503
185	61	158	414	741	1542
190	63	162	425	760	1581
195	64	166	435	779	1620
200	66	170	445	797	1659
205	67	174	456	816	1698
210	69	178	466	835	1737
215	71	182	477	854	1775
220	72	186	487	872	1814
225	74	190	498	891	1853
230	75	194	508	910	1892
235	77	198	519	928	1931
240	78	202	529	947	1970
245	80	206	539	966	2009
250	81	210	550	984	2048
255	83	214	560	1003	2087
260	85	218	571	1022	2125
265	86	222	581	1041	2164
270	88	226	592	1059	2203
275	89	230	602	1078	2242
280	91	234	613	1097	2281
285	92	238	623	1115	2320
290	94	242	634	1134	2359
295	95	246	644	1153	2398
300	97	250	654	1171	2437

Flow Capacity Information



Ordering Information



*For Higher KSV25 Pressure Settings, Contact Kingston.

